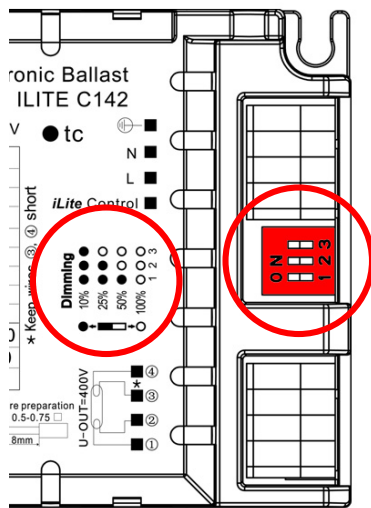


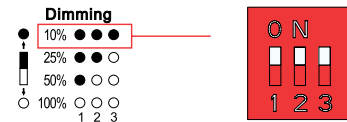
The iLite function provides constantly dimmed illumination, set to a preset level, in areas that are temporarily unoccupied. Upon sensing a presence, the luminaire immediately provides 100% illumination. When the controlled area becomes unoccupied, the light fades over a time period of 3 seconds, finally resting at a user defined ambient light level of 10%, 25% or 50%.

iLite dimming settings

When setting the ilite unit choose the pre-set dimmed options on the ilite ballast via the red DIP switch



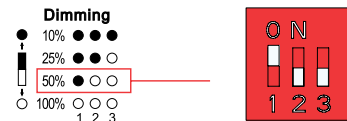
Setting 1 - 10%



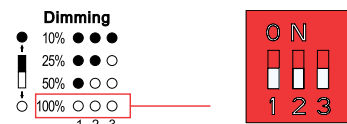
Setting 2 - 25%



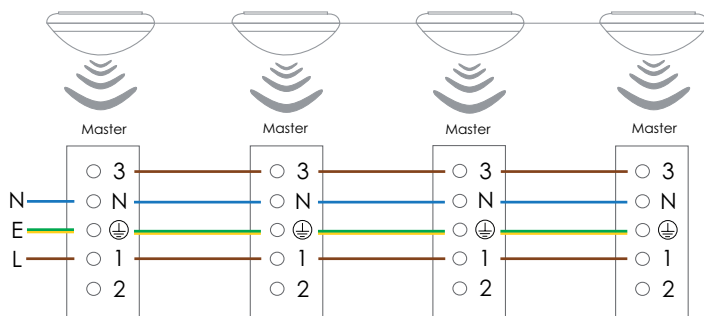
Setting 3 - 50%



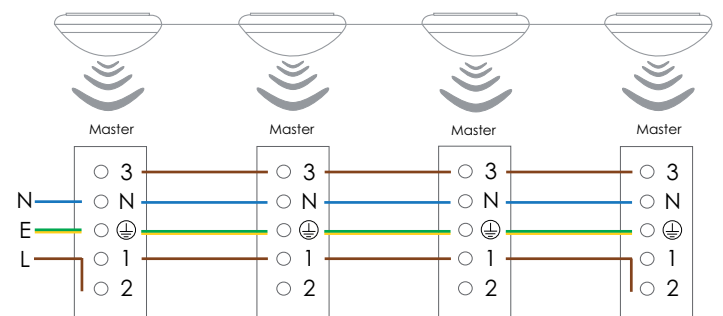
Setting 4 - 100%



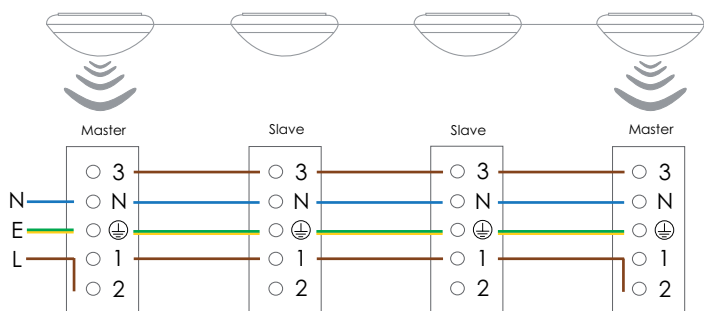
Occupancy control (all masters)



Courtesy with integrated Occupancy control (all masters)



Courtesy with integrated Occupancy control (masters & slaves)



Courtesy with remote Occupancy control (slaves)

